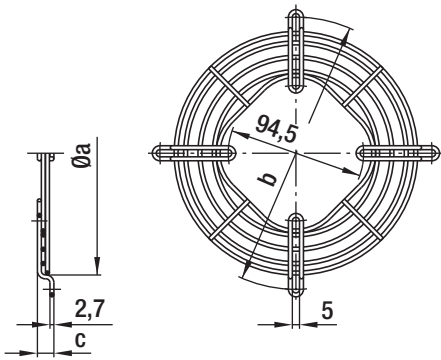


# Guard grille

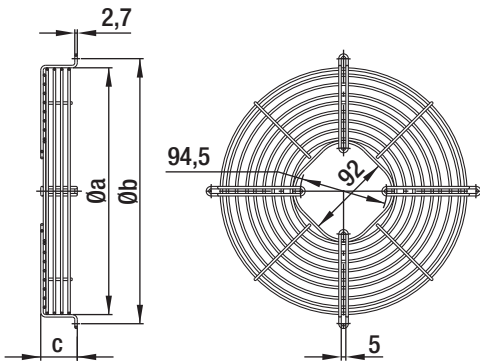


– **Material:** Steel, galvanized and blue chromated

## Guard grille

Part no.	Size	Max. blade angle $\alpha$ at "V"	Max. blade angle $\alpha$ at "A"	a	b	c
27452.70002	154	34°	34°	170,0	190,0	11,5
27452.70003	172	34°	34°	188,0	208,0	11,5
27452.70004	200	34°	28°	214,0	236,0	11,5
27452.70005	230	28°	28°	246,0	266,0	17,5
27452.70006	254	28°	28°	270,0	290,0	17,5
27452.70007	300	—	22°	324,0	344,0	17,5

subject to alterations



– **Material:** Steel, galvanized and blue chromated

## Basket guard grille

Part no.	Size	Max. blade angle $\alpha$ at "V"	Max. blade angle $\alpha$ at "A"	a	b	c
27452.70201	172	34°	34°	188,0	208,0	37,5
27452.70202	200	34°	28°	212,0	236,0	37,5
27452.70203	230	28°	28°	246,0	266,0	40,0
27452.70204	254	28°	28°	270,0	290,0	40,0
27452.70205	300	—	22°	324,0	344,0	46,8

subject to alterations