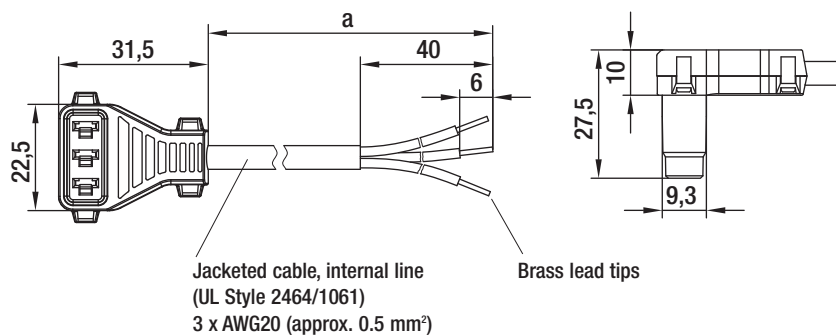


Connection leads (ESM)



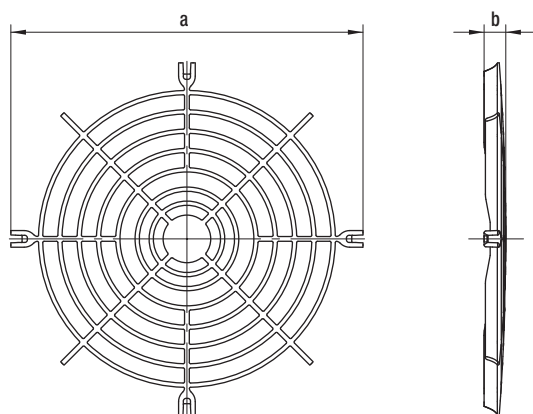
- **Design:** Cable conforms to UL standards, sealed plug. Custom-built connection leads on request.

Connection lines for energy-saving motors 115/230 VAC

Part no.	a
10637-4-1040	450
10640-4-1040	600
10638-4-1040	1500
10639-4-1040	2000

subject to alterations

Guard grilles (ESM)



- **Material:** Plastic PA, fibreglass-reinforced

Guard grille (sucking side) for energy-saving centrifugal modules

Part no.	Size	a	b
19051-2-2929	190	133,0	9,0
22051-2-2929	220	166,0	8,7

subject to alterations