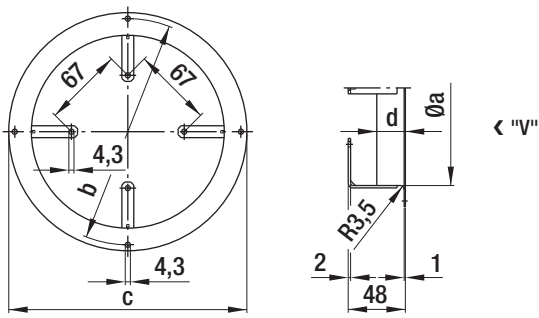


Wall rings

– Material: Sheet steel, coated in grey plastic

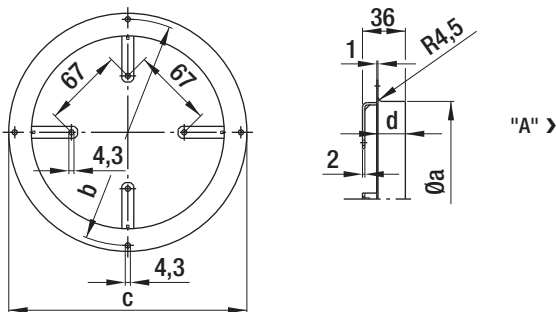


Wall rings, direction of air flow "V"

Part no. (sheet steel)	Part no. (plastic)	Size	Max. blade angle α	a	b	c	d	d (plastic)
27452.70501	27452.70802	154	34°	164,0	190,0	200,0	24,0	26,0
27452.70502	27452.70803	172	34°	182,0	208,0	223,0	24,0	26,0
27452.70503	27452.70804	200	34°	210,0	236,0	246,0	24,0	26,0
27452.70504	---	230	28°	240,0	266,0	276,0	24,0	---
27452.70505	27452.70805	254	28°	264,0	290,0	300,0	24,0	26,0
27452.70506	27452.70806	300	22°	308,0	344,0	356,0	24,0	26,0

subject to alterations

– Material: Sheet steel, coated in grey plastic



Wall rings, direction of air flow "A"

Part no. (sheet steel)	Part no. (plastic)	Size	Max. blade angle α	a	b	c	d	d (plastic)
27452.70701	---	154	34°	162,0	190,0	200,0	24,0	---
27452.70702	---	172	34°	180,0	208,0	223,0	24,0	---
27452.70703	---	200	28°	208,0	236,0	246,0	24,0	---
27452.70704	---	230	28°	238,0	266,0	276,0	24,0	---
27452.70705	27452.70807	254	28°	262,0	290,0	300,0	24,0	26,0
27452.70706	---	300	22°	308,0	344,0	356,0	24,0	---

subject to alterations