

EC centrifugal module

diagonal, Ø 200



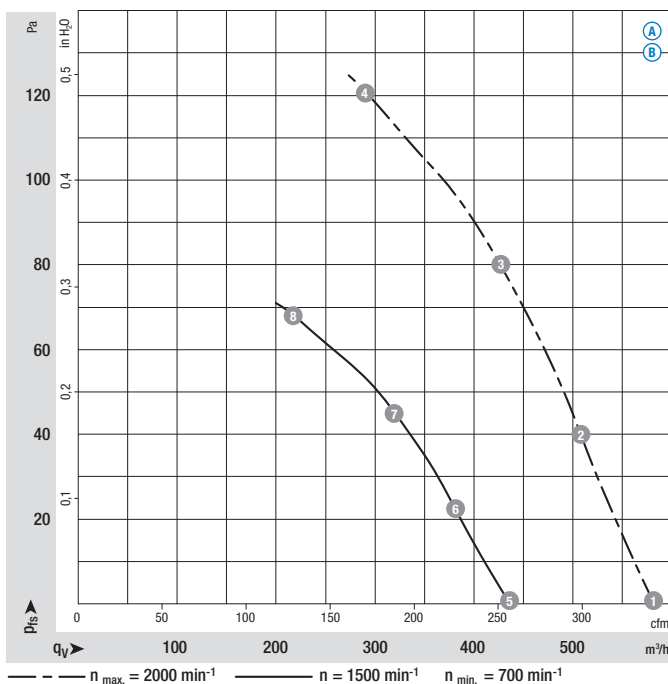
- **Material:** Housing: Plastic PA, fibreglass-reinforced
Blades: Plastic PA, fibreglass-reinforced
- **Number of blades:** 7
- **Direction of rotation:** clockwise, seen on rotor
- **Type of protection:** IP 54
- **Insulation class:** "B"
- **Mounting position:** Any
- **Condensate discharges:** None, open rotor
- **Mode of operation:** Con. operation (S1)
- **Bearings:** Maintenance-free ball bearings
- **Motor protection:** Via electronics and TOP
- **Electrical connection:** Plug-in connection on motor side
- **Protection class:** II
- **Product conforming to standard:** CE
- **Approvals:** VDE, UL, CSA, GOST are applied for
- **Speed:** Using the programming unit, 2 speeds between n_{min} and n_{max} can be programmed.

Nominal data		Curve	Nominal voltage	Frequency	Speed/rpm ⁽¹⁾	Max. input power ⁽¹⁾	Max. current draw ⁽¹⁾	Max. back pressure	Perm. amb. temp.
Type	Motor	VAC	Hz	rpm	W	A	PA	°C	
K1G 200	M1G 055-BD	Ⓐ	1~ 115	50/60	2000	31	0,50	120	-30..+50
K1G 200	M1G 055-BD	Ⓑ	1~ 230	50/60	2000	35	0,30	120	-30..+50

subject to alterations

(1) Nominal data in operating point with maximum load and 115 or 230 VAC

Curves



Air performance measured as per: ISO 5801, Installation category A, without protection against accidental contact

Suction-side noise levels: L_{WA} as per ISO 13347, L_{pA} measured at 1 m distance to fan axis

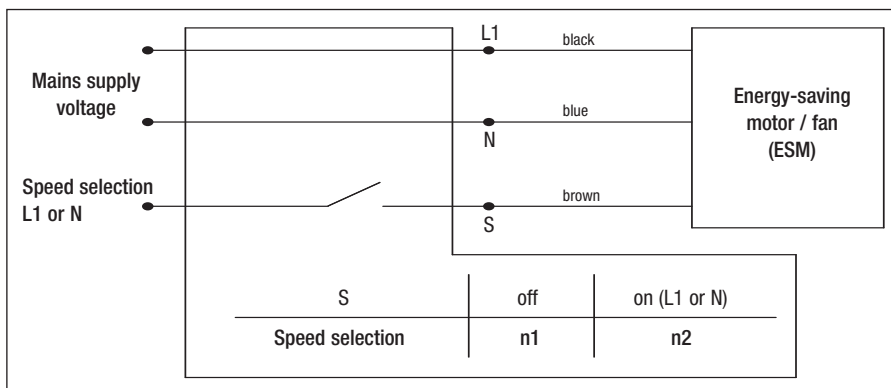
The acoustic values given are only valid under the measurement conditions listed and may vary depending on the installation situation.

With any deviation to the standard setup, the specific values have to be checked and reviewed once installed or fitted!

For detailed information see page 62 ff.

	n rpm	P_e W	I A	L_{WA} dB(A)
Ⓐ 1	2000	27	0,38	63
Ⓐ 2	2000	29	0,42	62
Ⓐ 3	2000	31	0,50	62
Ⓐ 4	2000	30	0,43	62
Ⓐ 5	1500	14	0,22	57
Ⓐ 6	1500	16	0,24	56
Ⓐ 7	1500	17	0,26	55
Ⓐ 8	1500	16	0,25	55
Ⓑ 1	2000	31	0,24	63
Ⓑ 2	2000	33	0,26	62
Ⓑ 3	2000	35	0,30	62
Ⓑ 4	2000	35	0,27	62
Ⓑ 5	1500	16	0,13	57
Ⓑ 6	1500	19	0,14	56
Ⓑ 7	1500	20	0,18	55
Ⓑ 8	1500	18	0,14	55

– Electr. connection:



Mass of centrifugal module with support bracket

Centrifugal module with support bracket

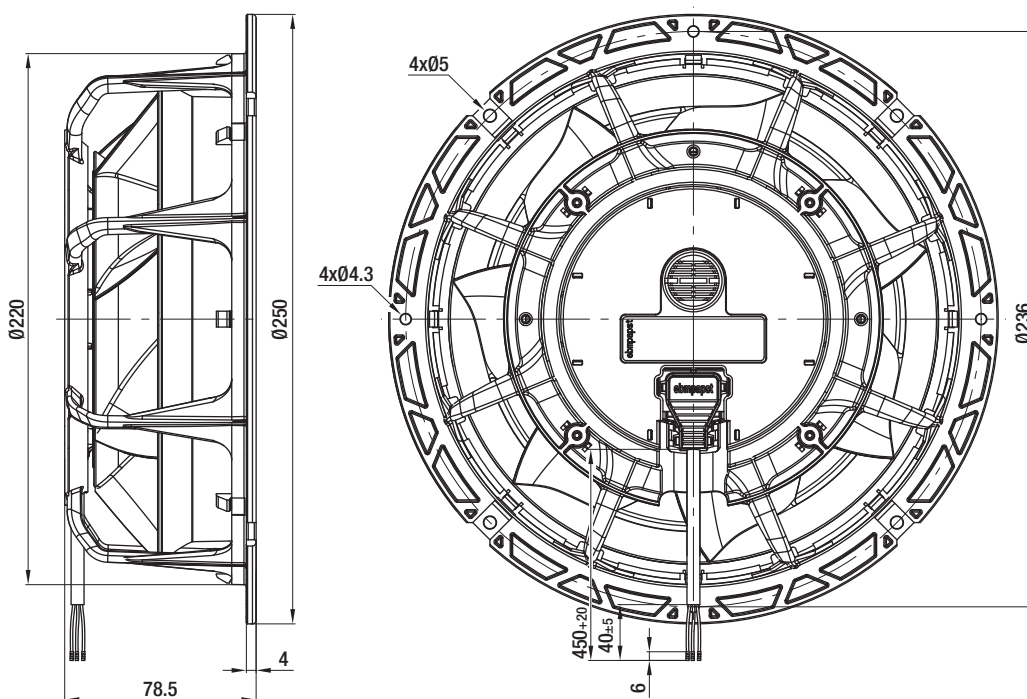
kg

K1G 200-AA95 -02

1,2

K1G 200-AA73 -02

1,2



Connection lead (total length 450 mm) is fitted ex works and can be detached. Other lengths available as accessory.