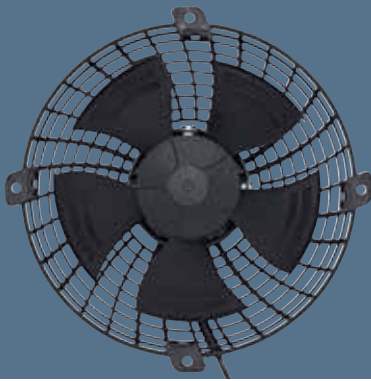


Energy-saving axial fans

Ø 200



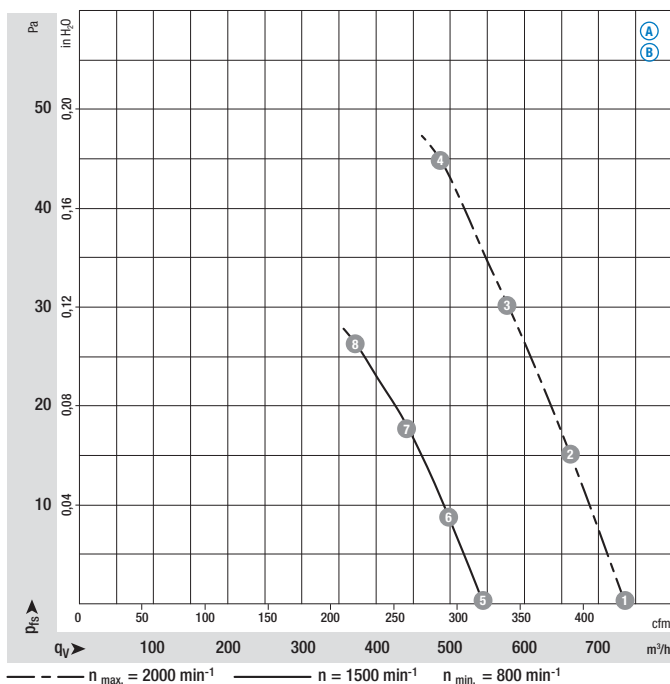
- **Material:** Blade: Plastic PA, fibreglass-reinforced
Guard grille: epylen
- **Number of blades:** 5
- **Direction of air flow:** "A", intake over guard grille
- **Direction of rotation:** Counter-clockwise, seen on rotor
- **Type of protection:** IP 54
- **Insulation class:** "B"
- **Mounting position:** Any
- **Condensate discharges:** None
- **Mode of operation:** Con. operation (S1)
- **Bearings:** Maintenance-free ball bearings
- **Motor protection:** Via electronics and TOP
- **Electrical connection:** Plug-in connection on motor side
- **Protection class:** II
- **Product conforming to standard:** CE
- **Approvals:** VDE, UL, CSA, GOST
- **Speed:** Using the programming unit, 2 speeds between n_{min} and n_{max} can be programmed.

| Nominal data | | Curve | Nominal voltage | Frequency | Speed/rpm ⁽¹⁾ | Max. input power ⁽¹⁾ | Max. current draw ⁽¹⁾ | Max. back pressure | Perm. amb. temp. | Mass |
|-------------------------|------------|----------|-----------------|-----------|--------------------------|---------------------------------|----------------------------------|--------------------|------------------|------|
| Type | Motor | VAC | Hz | rpm | W | A | Pa | °C | kg | |
| S1G 200-CA95 -02 | M1G 055-BD | Ⓐ 1~ 115 | 50/60 | 2000 | 31 | 0,43 | 45 | -30..+50 | 0,95 | |
| S1G 200-CA91 -02 | M1G 055-BD | Ⓑ 1~ 230 | 50/60 | 2000 | 34 | 0,26 | 45 | -30..+50 | 0,95 | |

subject to alterations

⁽¹⁾ Nominal data in operating point with maximum load and 115 or 230 VAC

Curves



Air performance measured as per: ISO 5801, Installation category A, in ebm-papst short nozzle and with protection against accidental contact

Suction-side noise levels: L_{wA} as per ISO 13347, L_{pA} measured at 1 m distance to fan axis

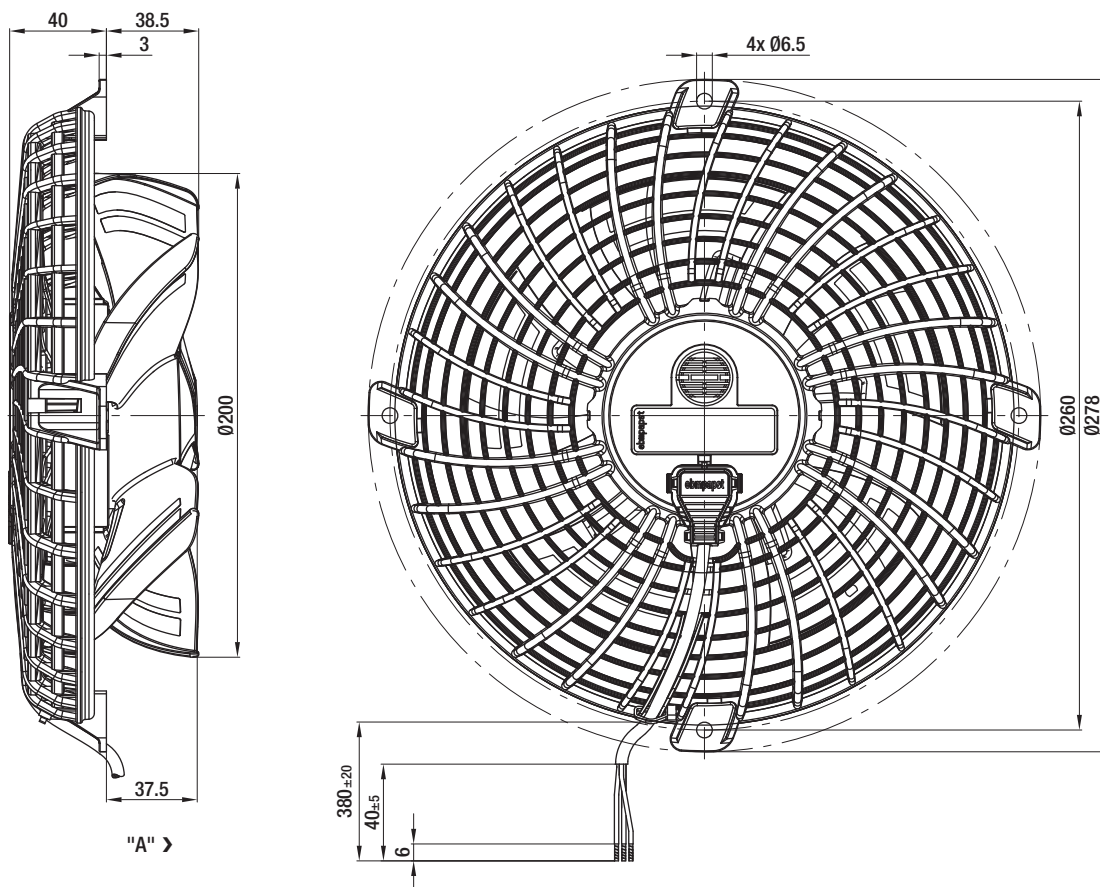
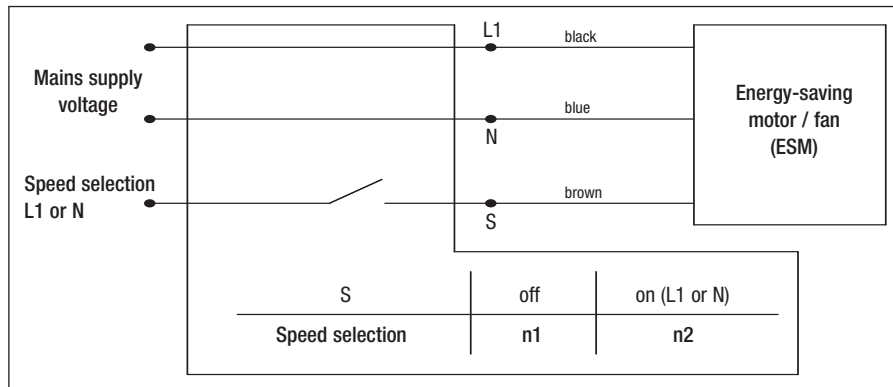
The acoustic values given are only valid under the measurement conditions listed and may vary depending on the installation situation.

With any deviation to the standard setup, the specific values have to be checked and reviewed once installed or fitted!

For detailed information see page 62 ff.

| | n rpm | P _e W | I A | L _{wA} dB(A) |
|-----|-------|------------------|------|-----------------------|
| Ⓐ 1 | 2000 | 30 | 0,43 | 64 |
| Ⓐ 2 | 2000 | 30 | 0,43 | 64 |
| Ⓐ 3 | 2000 | 30 | 0,43 | 63 |
| Ⓐ 4 | 2000 | 31 | 0,43 | 64 |
| Ⓐ 5 | 1500 | 17 | 0,28 | 59 |
| Ⓐ 6 | 1500 | 18 | 0,28 | 58 |
| Ⓐ 7 | 1500 | 19 | 0,28 | 58 |
| Ⓐ 8 | 1500 | 20 | 0,28 | 59 |
| Ⓑ 1 | 2000 | 32 | 0,24 | 64 |
| Ⓑ 2 | 2000 | 33 | 0,25 | 64 |
| Ⓑ 3 | 2000 | 33 | 0,25 | 63 |
| Ⓑ 4 | 2000 | 34 | 0,26 | 64 |
| Ⓑ 5 | 1500 | 18 | 0,16 | 59 |
| Ⓑ 6 | 1500 | 19 | 0,16 | 58 |
| Ⓑ 7 | 1500 | 19 | 0,16 | 58 |
| Ⓑ 8 | 1500 | 20 | 0,16 | 59 |

– Electr. connection:



Connection lead (total length 450 mm) is fitted ex works and can be detached
Other lengths available as accessory.