

ebm-papst Mulfingen GmbH & Co. KG

Bachmühle 2 · D-74673 Mulfingen

Phone +49 7938 81-0

Fax +49 7938 81-110

info1@de.ebmpapst.com

www.ebmpapst.com

Limited partnership · Headquarters Mulfingen

Amtsgericht (court of registration) Stuttgart · HRA 590344

General partner Elektrobau Mulfingen GmbH · Headquarters Mulfingen

Amtsgericht (court of registration) Stuttgart · HRB 590142

Nominal data

Type	S1G305-DA02-10	
Motor	M1G055-DF	
Phase		1~
Nominal voltage	VAC	230
Nominal voltage range	VAC	100 .. 240
Frequency	Hz	50/60
Method of obtaining data		ml
Speed	min ⁻¹	1650
Power consumption	W	70
Current draw	A	0.6
Max. back pressure	Pa	75
Min. ambient temperature	°C	-40
Max. ambient temperature	°C	40

ml = Max. load · me = Max. efficiency · fa = Free air · cs = Customer specification · ce = Customer equipment
 Subject to change



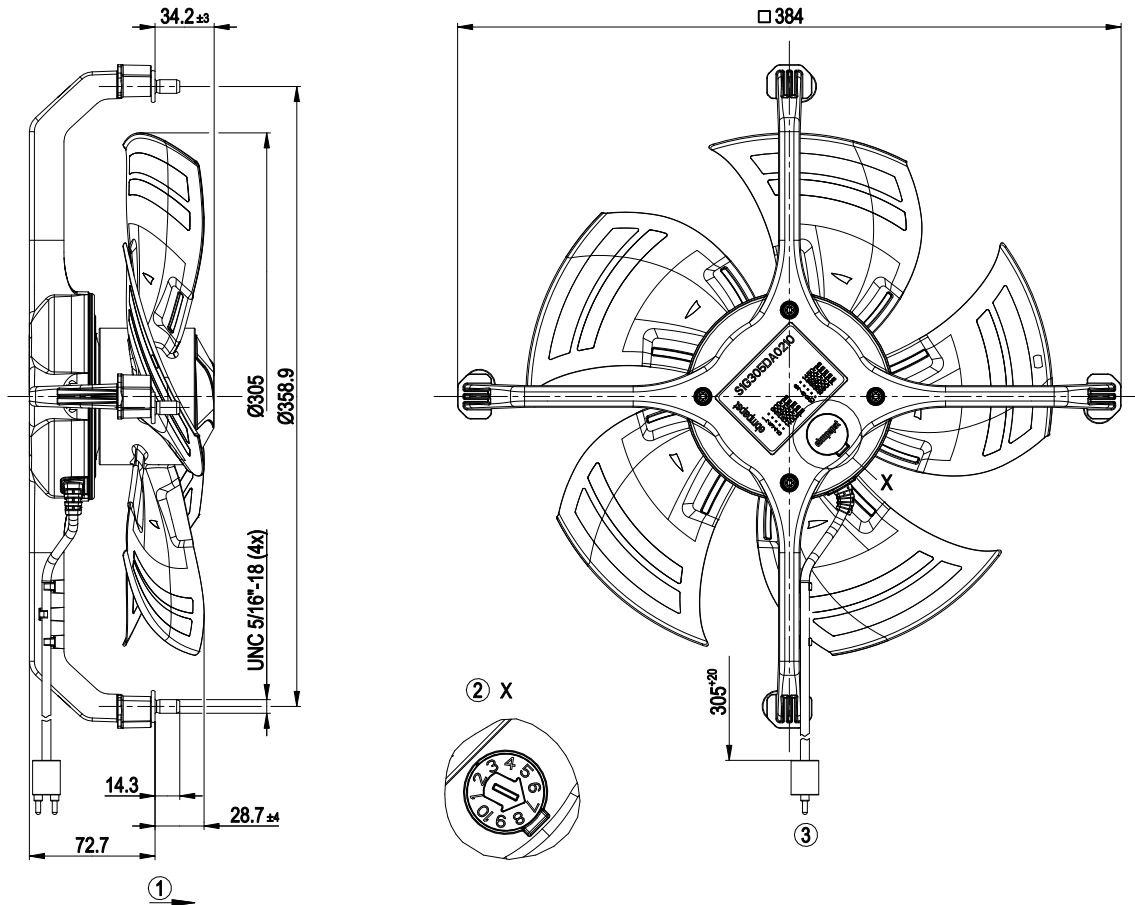
Technical description

Weight	1.7 kg
Fan size	305 mm
Rotor surface	Thick-film passivated
Blade material	PP plastic
Number of blades	5
Airflow direction	"A"
Direction of rotation	Clockwise, viewed toward rotor
Degree of protection	IP54
Insulation class	"B"
Moisture (F) / Environmental (H) protection class	H1
Max. permitted ambient temp. for motor (transport/storage)	+ 70 °C
Min. permitted ambient temp. for motor (transport/storage)	- 40 °C
Installation position	Shaft horizontal
Condensation drainage holes	None
Mode	S1
Motor bearing	Ball bearing with low-temperature lubricant
Technical features	<ul style="list-style-type: none"> - Motor current limitation - Soft start - Thermal overload protection for motor
Speed levels	10
Electrical hookup	With plug
Motor protection	Locked-rotor protection
With cable	Variable
Protection class	II
Approval	EAC; UL 1004-7 + 60730; C22.2 No.77 + CAN/CSA-E60730-1

EC axial fan

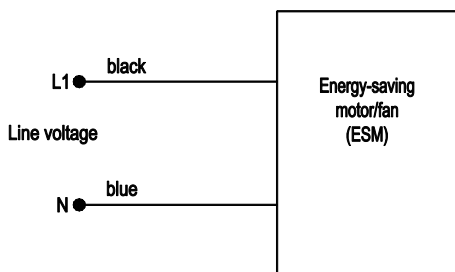
sickle-shaped blades (S series)

Product drawing

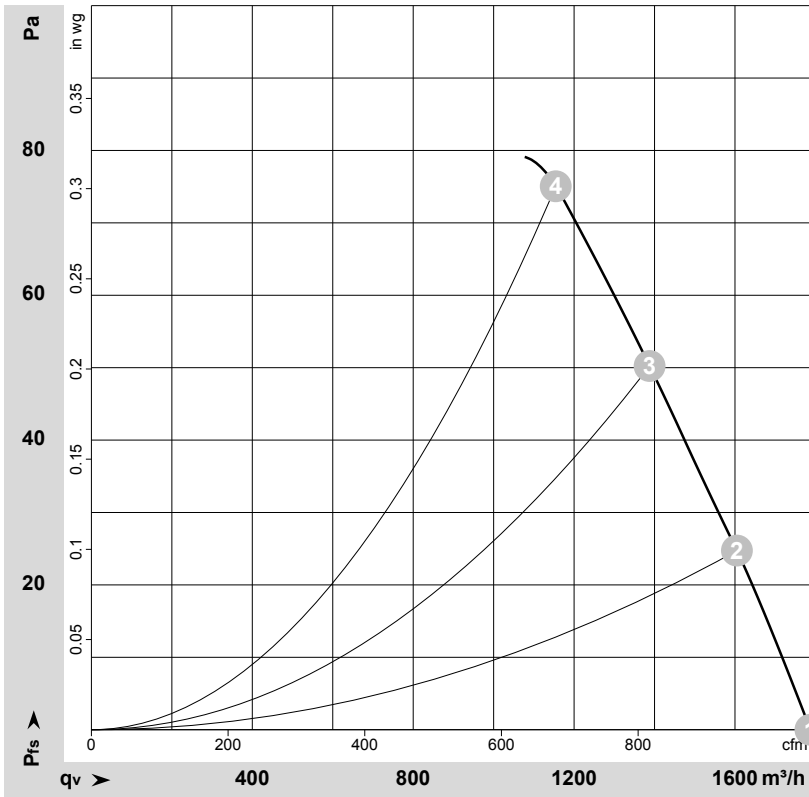


1	Direction of air flow "A"
2	Illustration without cover plate; speed selection
3	Cable PVC AWG18, connector housing compatible with EMF Corporation P-2-1-075, 2x plug contact tyco 61013-2

Connection diagram



Curves: Air performance 50 Hz



$\rho = 1.156 \text{ kg/m}^3 \pm 2 \%$

Measurement: LU-172097-1

Air performance measured according to ISO 5801 installation category A. For detailed information on the measurement setup, contact ebm-papst. Intake sound level: Sound power level according to ISO 13347 / sound pressure level measured at 1 m distance from fan axis. The values given are valid under the specified measuring conditions and may vary due to conditions of installation. For deviations from the standard configuration, the parameters have to be checked on the installed unit.

Measured values

	U	f	n	P _{ed}	I	qv	p _{fs}
	V	Hz	min ⁻¹	W	A	m ³ /h	Pa
1	230	50	1650	39	0.36	1790	0
2	230	50	1650	49	0.43	1605	25
3	230	50	1650	58	0.51	1390	50
4	230	50	1650	70	0.60	1155	75

U = Power supply · f = Frequency · n = Speed · P_{ed} = Power consumption · I = Current draw · qv = Air flow · p_{fs} = Pressure increase

