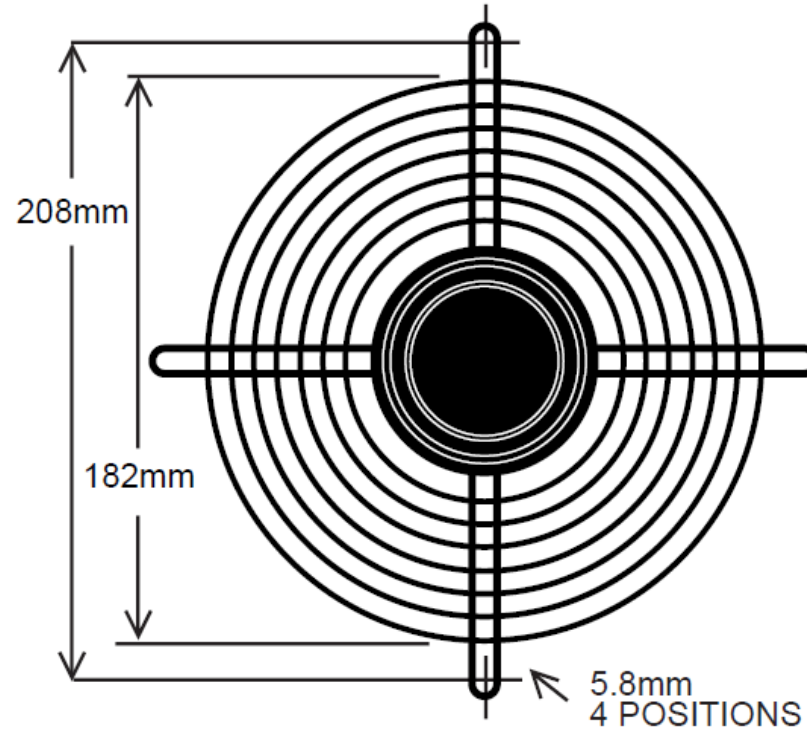


ebm-papst MFG. NOTES

RING DIAMETER: 1.5mm
RIB DIAMETER: 2.0mm

REV.	EC #	REVISION DESCRIPTION	DATE	D.ENG.	CHECKER
A	N/A	INITIAL PROTOTYPE RELEASE	19-May-16	MBZ	MBZ



ebm-papst Inc. DISCLOSURE THIS DOCUMENT IS THE PROPERTY OF ebm-papst Inc. ITS USE IS AUTHORIZED BY ebm-papst Inc. ONLY. ALL QUESTIONS MUST BE REFERRED TO ebm-papst Inc. PERSONNEL: DESIGN ENG., MFG.ENG., AND / OR PURCHASING. CAUTION: ANY PRINTED COPY IS UNCONTROLLED AND TO BE USED FOR REFERENCE ONLY. REFER TO ebm-papst Inc. CAD SYS. FOR VERIFICATION. <small>Form No. 1073 Rev. H</small>		MATERIAL: C1008 STEEL FINISH: BRIGHT NICKEL CHROME IF APPLICABLE PLACE SECOND FINISH AND DESCRIPTION HERE ALL INNER BEND RADII: 1mm BOTTOM BEND UNLESS OTHERWISE STATED TOLERANCES, UNLESS OTHERWISE STATED: DECIMAL .XXX ± .020 HOLES .XXX ± .003 TOLERANCES FOR CNC FLAT .XXX EXCLUDING HOLE DIA. +/- .010 TOLERANCE .XX ± .030 ANGLES ± 1° REF	BEND DEDUCTION: N/A COSMETICS PER ebm-papst SPEC-0-1 SEE CAD FOR DIMS. NOT SHOWN BREAK ALL SHARP EDGES ALL DIMENSIONS ARE IN INCHES	PART NO.: 26388-2-4039 TITLE: FAN GUARD FIRST USED ON: N/A DESIGN ENG.: MBZ ORIG. DATE: 19-May-16 E#: N/A	REVISION: 000 SHEET: 1 of 1	
--	--	---	--	--	--	--