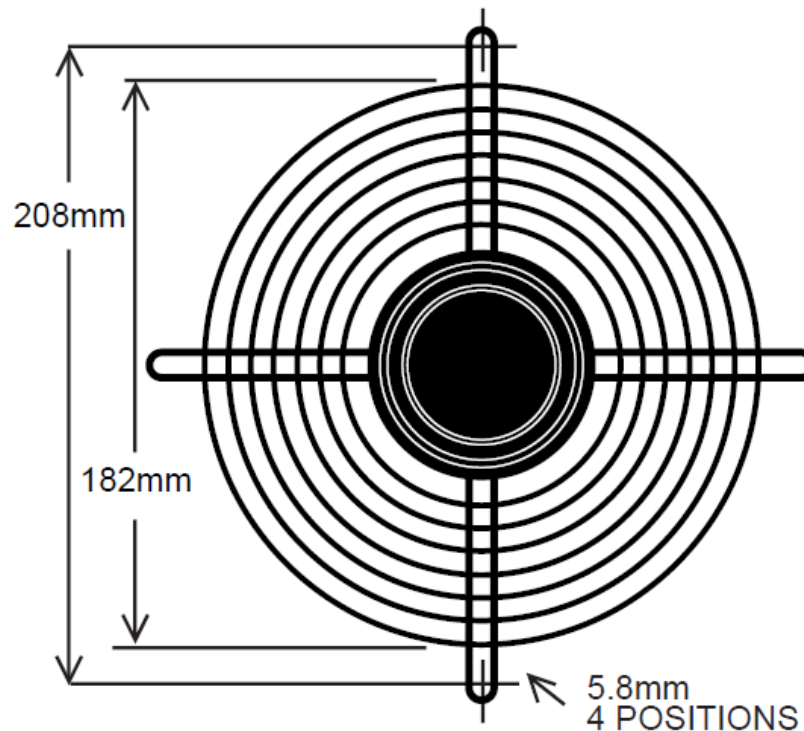


ebm-papst MFG. NOTES

RING DIAMETER: 1.5mm  
RIB DIAMETER: 2.0mm

REV.	EC #	REVISION DESCRIPTION	DATE	D.ENG.	CHECKER
A	N/A	INITIAL PROTOTYPE RELEASE	19-May-16	MBZ	MBZ



<b>ebm-papst Inc. DISCLOSURE</b> THIS DOCUMENT IS THE PROPERTY OF ebm-papst Inc. ITS USE IS AUTHORIZED BY ebm-papst Inc. ONLY. ALL QUESTIONS MUST BE REFERRED TO ebm-papst Inc. PERSONNEL: DESIGN ENG., MFG.ENG., AND / OR PURCHASING.  <b>CAUTION:</b> ANY PRINTED COPY IS UNCONTROLLED AND TO BE USED FOR REFERENCE ONLY. REFER TO ebm-papst Inc. CAD SYS. FOR VERIFICATION.  <small>Form No. 1073 Rev. H</small>		<b>MATERIAL:</b> 304 STAINLESS STEEL <b>FINISH:</b> ELECTROPOLISH <b>IF APPLICABLE PLACE SECOND FINISH AND DESCRIPTION HERE</b> <b>ALL INNER BEND RADII = 1mm BOTTOM BEND UNLESS OTHERWISE STATED</b> <b>TOLERANCES, UNLESS OTHERWISE STATED:</b> DECIMAL .XXX ± .020 HOLES .XXX ± .003 TOLERANCES FOR CNC FLAT .XXX TOLERANCE .XX ± .030 ANGLES ± 1° REF EXCLUDING HOLE DIA. +/- .010	<b>BEND DEDUCTION</b> N/A <b>COSMETICS PER ebm-papst SPEC-0-1</b> <b>SEE CAD FOR DIMS. NOT SHOWN</b> <b>BREAK ALL SHARP EDGES</b> <b>ALL DIMENSIONS ARE IN INCHES</b>	<b>PART NO.</b> 725-00-0006 <b>TITLE</b> FAN GUARD <b>FIRST USED ON</b> N/A <b>DESIGN ENG.</b> MBZ <b>ORIG. DATE</b> 19-May-16 <b>E#</b> N/A	<b>REVISION</b> 000 <b>SHEET</b> 1 of 1 
--	--	--	---	---	---