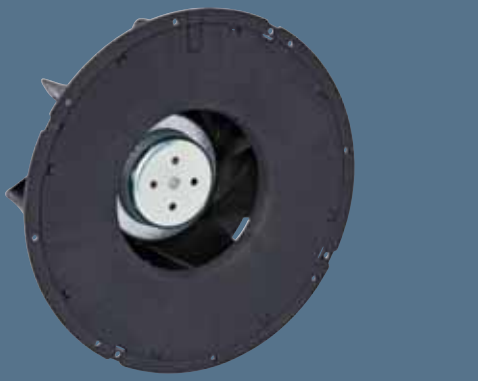


EC centrifugal module

backward curved, Ø 190



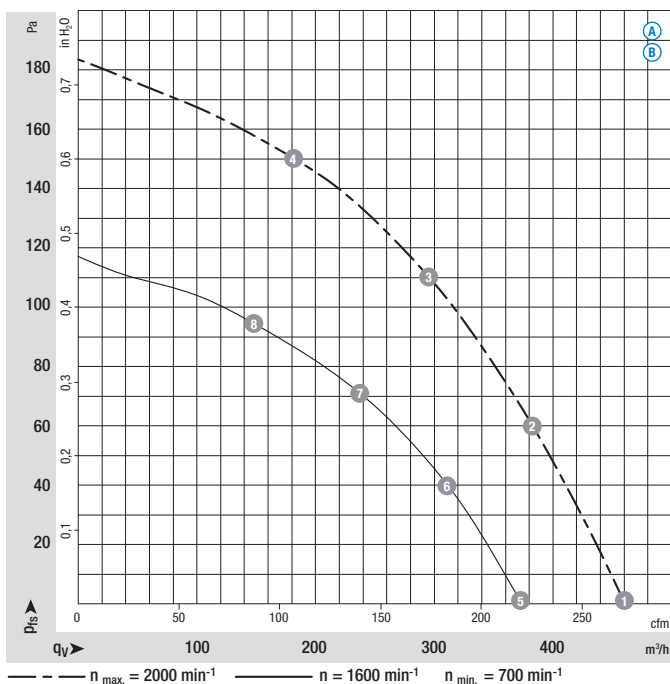
- **Material:** Housing: Plastic PA, fiberglass-reinforced
Impeller: Plastic PA, fiberglass-reinforced
Rotor: Galvanised
- **Number of blades:** 7
- **Direction of rotation:** clockwise, seen on rotor
- **Type of protection:** IP 54
- **Insulation class:** "B"
- **Mounting position:** Any
- **Condensate discharges:** None, open rotor
- **Mode of operation:** Con. operation (S1)
- **Bearings:** Maintenance-free ball bearings
- **Motor protection:** Via electronics and TOP
- **Electrical connection:** Plug-in connection on motor side
- **Protection class:** II
- **Product conforming to standard:** CE
- **Approvals:** VDE, UL, CSA, GOST are applied for
- **Speed:** Using the programming unit, 2 speeds between n_{min} and n_{max} can be programmed.

Nominal data		Curve	Nominal voltage	Frequency	Speed/rpm ⁽¹⁾	Max. input power ⁽¹⁾	Max. current draw ⁽¹⁾	Perm. amb. temp.
Type	Motor	VAC	Hz	rpm	W	A	°C	
K1G 190	M1G 055-BD	Ⓐ	1~ 115	50/60	2000	30	0,45	-30..+50
K1G 190	M1G 055-BD	Ⓑ	1~ 230	50/60	2000	30	0,24	-30..+50

subject to alterations

(1) Nominal data in operating point with maximum load and 115 or 230 VAC

Curves



Air performance measured as per: ISO 5801, Installation category A, without protection against accidental contact

Suction-side noise levels: L_{WA} as per ISO 13347, L_{pA} measured at 1 m distance to fan axis

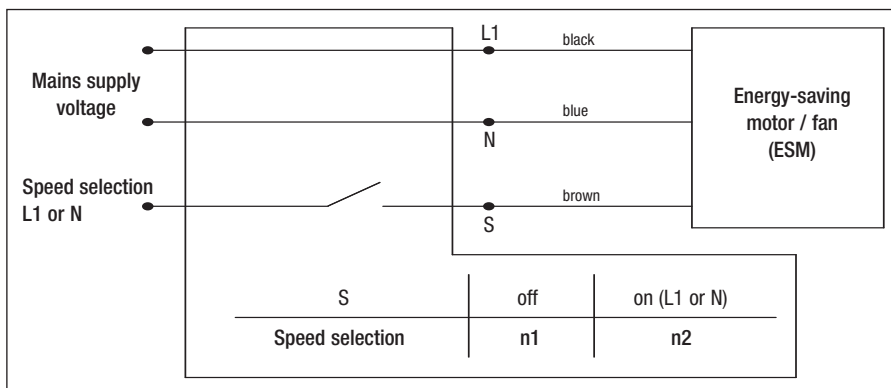
The acoustic values given are only valid under the measurement conditions listed and may vary depending on the installation situation.

With any deviation to the standard setup, the specific values have to be checked and reviewed once installed or fitted!

For detailed information see page 62 ff.

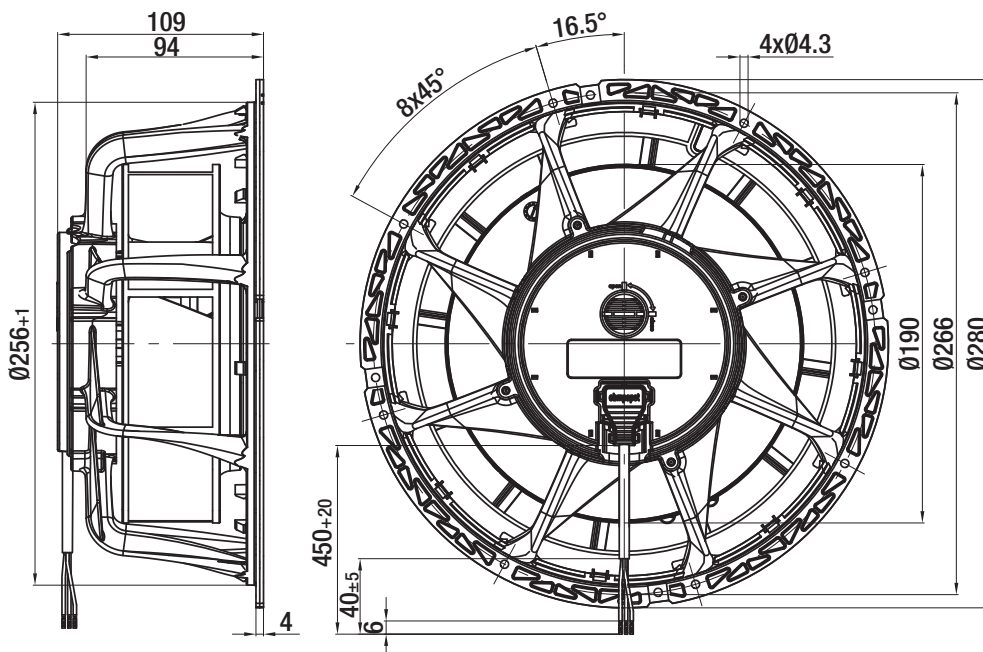
	n rpm	P _e W	I A	L _{WA} dB(A)
Ⓐ 1	2000	21	0,34	62
Ⓐ 2	2000	25	0,38	60
Ⓐ 3	2000	30	0,45	59
Ⓐ 4	2000	26	0,39	60
Ⓐ 5	1600	13	0,19	57
Ⓐ 6	1600	15	0,25	55
Ⓐ 7	1600	17	0,27	53
Ⓐ 8	1600	15	0,26	55
Ⓑ 1	2000	21	0,16	62
Ⓑ 2	2000	25	0,19	60
Ⓑ 3	2000	30	0,24	59
Ⓑ 4	2000	26	0,20	60
Ⓑ 5	1600	13	0,10	57
Ⓑ 6	1600	15	0,11	55
Ⓑ 7	1600	17	0,13	53
Ⓑ 8	1600	15	0,12	55

– Electr. connection:



Mass of centrifugal module with support bracket

Centrifugal module with support bracket	kg
K1G 190-AD50 -02	1,3
K1G 190-AD73 -02	1,3



Connection lead (total length 450 mm) is fitted ex works and can be detached
Other lengths available as accessory.