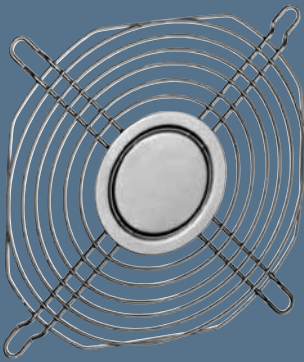


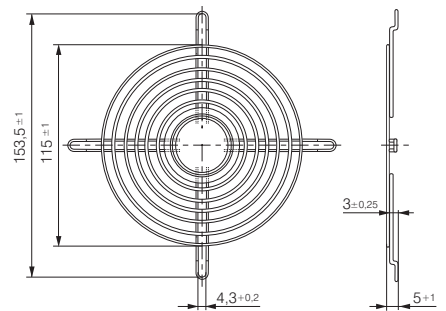
Guard grilles (ACi)



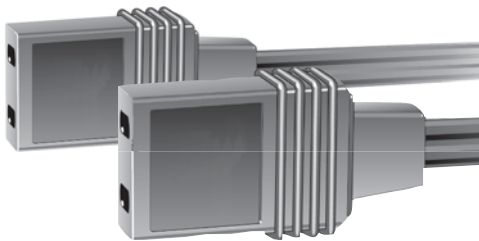
- Guard grille acc. to DIN EN ISO 13857 (previously EN 294), made of galvanised or nickel-plated and passivated steel wire for device fans.
- Additional guard grilles that do not conform to DIN EN ISO 13857 are available on request.
- Our guard grilles are specially designed for use with ebm-papst fans. Their design ensures maximum safety with minimum effect on the operating noise level. Note that when using guard grilles from other manufacturers, compliance with safety-related distances will not always be present.

Fan series	Guard grilles	
ACi 4400	LZ30	Intake side
ACi 4400	LZ30	Outlet side

LZ30 Fan size 119 x 119



Connector cables (ACi)

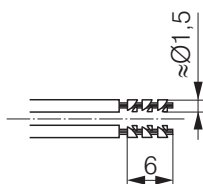


- Connector cable with injection-moulded plug in various lengths.
- Strand ends with core-crimping sleeve, core-end sleeve or tin-plated.

Plug model	L1 (mm)	Leads	Plug	Leads end	Lead colour	Receptacle for tabs	Application
LZ120	610	0,5 mm ²	straight	C	black/black	2,8 x 0,5	AC
LZ120-4	2 000	0,5 mm ²	straight	A	black/black	2,8 x 0,5	AC
LZ120-16	800	0,5 mm ²	straight	B	black/black	2,8 x 0,5	AC
LZ120-18	4 000	0,5 mm ²	straight	A	black/black	2,8 x 0,5	AC
LZ126	1 000	0,5 mm ²	straight	C	black/black	2,8 x 0,5	AC
LZ127	1 600	0,5 mm ²	straight	B	black/black	2,8 x 0,5	AC
LZ130-1	610	0,82 mm ²	straight	C	black/black	2,8 x 0,5	AC

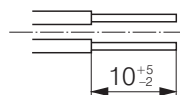
Core crimp sleeve

Leads end A



Tin-plated

Leads end B



Core end sleeve

Leads end C

